

**ADIRONDACK-AIRE**  
**zer0zone**  
**410-A**

SERIES  
**CEC**

**PACKAGED TERMINAL AIR CONDITIONING**  
**Replacement PTAC Chassis for Singer/ McQuay 'C/EC'**  
**& IslandAire 'EC'**

**NOMINAL CAPACITY:**

25,000, 30,000 BTU/h

ColdPointCorp, Rome, New York 13440 • Phone (315)339-2331 • Fax (315)339-2358 • Web: www.adirondackaire.com



**MADE IN USA**

**Description & Application:**

*Adirondack-Aire* 'CEC' series **zer0zone** chassis provides **environment friendly, high efficiency cooling and heating** where **individual, quiet control** of space is a priority. This application flexible unit is also a **direct replacement** for *Remington/ Singer/ McQuay* 'C/EC' series built beginning in 1967 (design code 'C'), and replaces *Islandaire* 'EC' series chassis. An **optional adapter kit is required** when replacing original units built before 1967. *Remington/Singer/McQuay* 'C' models were hydronic heat units and 'EC' models were electric heat units. This is a modular design unit where the chassis is a part of a complete system that consists of the chassis, blower section, heat section, heat section cradle, control box, wall sleeve, and outdoor louver.

The chassis contains the compressor, indoor and outdoor heat exchangers, condenser motor & fans, ventilation damper, heat damper, and refrigeration circuit controls. The 'CEC' chassis is **dimensionally identical** to the original to fit the **existing sleeve and room cabinet**, and works with the **original blower, heater, and control** for a fast, easy, and trouble free **chassis change-out**. When blower, heater, or control box is to be replaced you must order the **complete Adirondack-Aire 'replacement modules package'**.

Quality components, careful design and testing and the latest in environment friendly technology assure EPA compliance, long life, user satisfaction, and lower energy costs! The *Adirondack-Aire* 'CEC' is built with an extensive list of standard features that includes: **Rust-Block\*** corrosion protection system, **centrifugal condenser fans**, **thermostatic expansion valve**, refrigerant circuit **access ports**, evaporator **freeze protection**, **anti-short cycle**, **motorized vent** and **heat dampers** with **manual shut-off**, permanent **electrostatic air filter**, chassis **lift handles**, and **high pressure over protection**.

*Cold Point Corp.* backs the 'CEC' with a customer friendly **one-year parts and labor warranty** and **five year compressor warranty**, (see Warranty document for details)

**Options/Accessories:**

- Replacement modules package (see price page for details)
- Design code 'A' adapter kit
- Design code 'B' adapter kit (consult factory)
- Electric or hydronic heat
- Heat Cradle
- Room Cabinet
- Wall Sleeves (consult factory)
- Louvers (consult factory)
- 265/ 277V

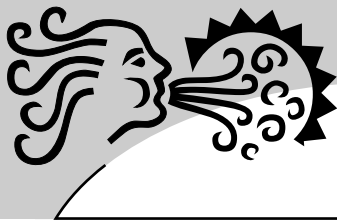
\* **Rust-Block corrosion protection system consists of:**  
 •Heavy gauge **galvanized steel** construction with **powder paint finished condenser & evaporator pans**

•**Galvanized or Aluminum** Condenser Fan  
 •**Stainless steel** compressor and condenser motor studs

•**Magnaguard** and/or **stainless steel** screws and fasteners

**Standard Features**

- 1). Made in USA
- 2). Heavy-Duty construction. Dimensionally identical to original *Singer/McQuay* chassis.
- 3). Exclusive **Rust-Block corrosion protection**
- 4). High efficiency PSC type fan motors w/built-in temperature protection
- 5). UL listed components and construction
- 6). Quiet, durable, and efficient compressor with built-in pressure & temperature protection
- 7). Heavy Gauge galvanized steel construction with powder coat painted condenser & evaporator pans
- 8). Motorized vent & heat dampers w/ manual shut-off
- 9). Anti-Short cycle
- 10). High efficiency copper tube-aluminum fin evaporator and condenser coils
- 11). Centrifugal condenser fans for proven airflow performance
- 12). Condensate re-evaporation
- 13). High Pressure switch with manual reset
- 14). Frost free low ambient cooling
- 15). Electrostatic air filter
- 16). Chassis lift handles facilitate easy chassis removal & handling
- 17). Thermostatic expansion valve
- 18). Precision charged with **zer0zone R-410A** refrigerant

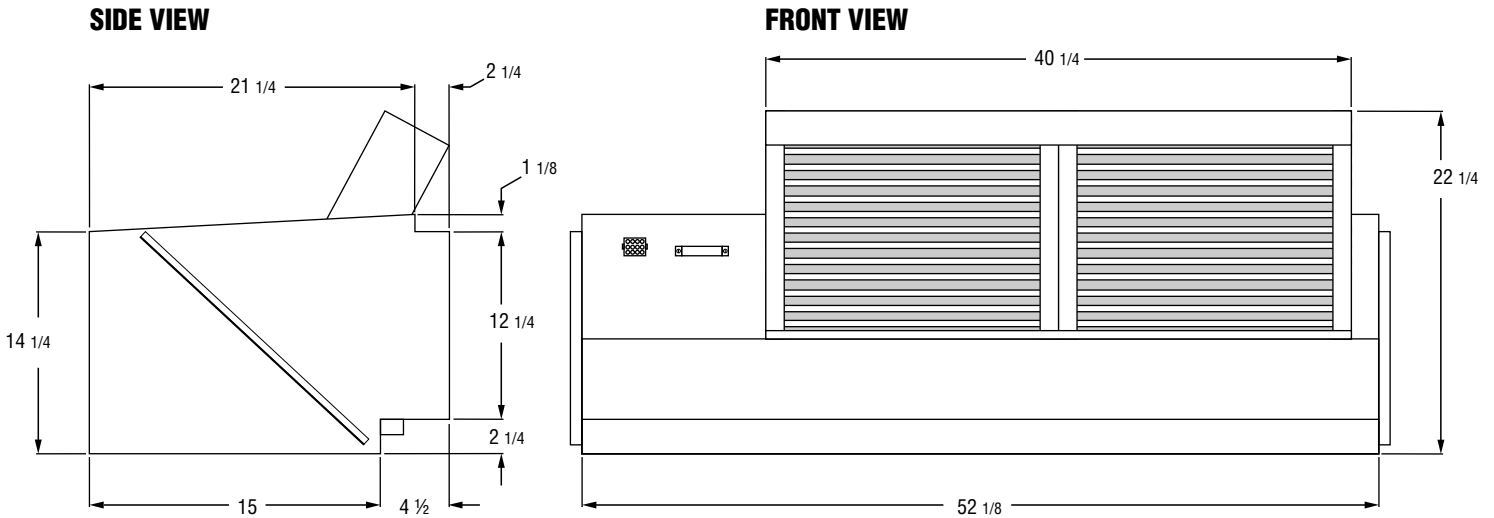


# CEC Dimensions and Specifications

**Note:** Due to Cold Point Corporation's ongoing quality & product development programs, design and specifications may change. Always consult factory to verify the information provided here.

## DIMENSIONAL DETAIL 'CEC'

**IMPORTANT!** Chassis must replace a unit of like capacity to assure proper **airflow** and **power supply**.



### CEC zer0zone Series Electric Heat Specifications

Heater NO.	Volts	Watts	BTU/h*	HTR Amps	Ampacity	Fuse Size	CEC Model
4.8	208	3925	13,385	18.9	26	25	25 & 30
	230	4800	16,370	20.9	28	25	
	277	4800	16,370	17.4	24	25	
7.2	208	5890	20,085	28.3	37	35	25 & 30
	230	7200	24,550	31.3	41	40	
	277	7200	24,550	26.0	35	35	
9.6	208	7850	26,772	37.8	49	45	30 only
	230	9600	32,736	41.8	54	50	
	277	9600	32,736	34.7	45	45	

\*Does not include fan heat contribution

### CEC zer0zone Series Performance Rating\* (Preliminary)

Model No.	Cooling			Evap CFM	Vent CFM	Condenser Fan Type	REFRIG
	BTU/h	Sens. BTU/h	Watts				
CEC- 25	24,000	16,200	2,850	550	165	Centrifugal Blowers	410A
CEC- 30	28,000	18,900	3,375	700	210		410A

\* Rated in Accordance with ARI

### CEC Hydronic Coil Performance Ratings

Model No.	CFM	Water Temp/ Steam PSI	BTU/h
25	550	200° water	21,100
		5 psi steam	28,400
30	700	200° water	23,300
		5 psi steam	31,200

### CEC zer0zone Series Electrical Specifications

Min CKT Amps	Max. Fuse	Evap. Fan Motor (2)		Cond. Fan Motor		Compressor		Cooling, Total Amps.	Min. Ckt Ampac. <sup>(1)</sup>	Max. Fuse Size <sup>(1)</sup>	Min. Volts
		FLA	HP	FLA	HP	RLA	LRA				
CEC- 25	208-230/60/1	.35 ea/ .70	1/20	3.6	1/2	9.4	54.0	13.7	16	25	197
CEC- 25	277/60/1	.30 ea/ .60	1/20	2.7	1/2	8.0	46.0	11.3	13	20	240
CEC- 30	208-230/60/1	.35 ea/ .70	1/20	3.6	1/2	11.6	74.0	15.9	19	30	197
CEC- 30	277/60/1	.30 ea/ .60	1/20	2.7	1/2	9.9	67.0	13.7	16	25	240

<sup>(1)</sup> Electric heater may change branch CKT Ampacity and Fuse Size Refer to electric heat specifications for details.

Model No.	Chassis Weight (lbs)
25	300
30	325