

PACKAGED TERMINAL AIR CONDITIONING/HEAT PUMP
Replacement PTAC Chassis for Remington/ Singer/ American
Standard TW Type '41', IslandAire '41' & RetroAire 'RC 15'

NOMINAL CAPACITY:

9,000, 12,000,
15,000 BTU/h

ColdPointCorp, Rome, New York 13440 • Phone (315)339-2331 • Fax (315)339-2358 • Web: www.adirondackaire.com



centrifugal condenser fan

MADE IN
USA



Description:

Adirondack-Aire '41' Series zer0zone chassis provides environment friendly, high efficiency cooling and heating where individual, quiet control of space is a priority. This application flexible unit is also a direct replacement for Remington/ Singer Type 41, American Standard TW series Type 41, IslandAire '41' & RetroAire 'RC 15' chassis. The chassis is a part of a complete system, which consists of the chassis, blower/heat section with control box, a wall sleeve, room cabinet, and outdoor louver. The chassis contains the compressor, indoor and outdoor heat exchangers, condenser motor & fan, and refrigeration circuit controls. The '41' is dimensionally identical to the original for a fast, easy, and trouble free installation. Quality components, careful

design and testing and the latest in environment friendly technology assure EPA compliance, long life, user satisfaction, and lower energy cost! Consider the extensive list of standard features which includes: **Rust-Block*** corrosion protection system, **centrifugal condenser fan**, evaporator **freeze protection**, permanent **electrostatic air filter**, **pull handle**, and **high-pressure over protection...** and Adirondack-Aire is the replacement solution the competition can't match. Cold Point Corp. backs the '41' with a customer friendly **one-year parts and labor warranty** and **five-year compressor warranty**, (see *Warranty* document for details). **Heat pumps** are available and include a **thermostatic expansion valve** and condenser **drain pan valve**. Consult factory for availability of heat pumps.

Application & Benefits:

The Adirondack-Aire '41' series zer0zone replacement chassis fits the existing Remington/Singer/American Standard wall sleeves and room cabinets and works with the existing blower/heat section and control box without modification. A forward curved centrifugal condenser fan provides proven airflow performance. The standard high-pressure switch and evaporator freeze protection stops unit operation before damage occurs should airflow become reduced or obstructed due to dirty coils, obstructed airflow, or motor failures or lock-up.....a premium feature usually found only in expensive commercial systems. Condensate re-evaporation and the Rust-Block system assure a stain-free building exterior. High efficiency compressors provide demonstrated reliability and low sound levels and cut energy costs...and because the chassis dimensions and construction details are like the original, replacement work is fast and easy. A chassis pull handle is provided to facilitate easy removal and handling. Using Adirondack-Aire replacements eliminates the need for room and exterior wall renovation and is the solution that gets your property back in service quickly and at the lowest total cost. Choose the optional room cabinet to give the unit a brand new look and improve room aesthetics.

Options/Accessories:

- Heat Pump (consult factory)
- Blower/control box sections
- Electric heat or Hydronic heat
- Control options
- Motorized fresh air
- Cabinets
- Line Cord
- 115V & 265/277V (availability varies by model size)

* Rust-Block corrosion protection system consists of:
•Heavy gauge galvanized steel construction with powder paint finished condenser & evaporator pans

•Galvanized or Aluminum Condenser Fan
•Stainless steel compressor and condenser motor studs

•Magnaguard and/or stainless steel screws and fasteners

Standard Features

- 1). Made in USA
- 2). Designed for easy installation & compatibility. Dimensionally identical to original Singer/American Standard chassis. Replaces IslandAire & RetroAire chassis.
- 3). Exclusive **Rust-Block corrosion protection**
- 4). High efficiency PSC type fan motors w/built-in temperature protection
- 5). UL listed components and construction
- 6). Quiet, durable, and efficient compressor with built-in pressure & temperature protection
- 7). Heavy Gauge G60 galvanized steel construction with powder coat painted condenser & evaporator pans
- 8). High efficiency copper tube-aluminum fin evaporator and condenser coils
- 9). Centrifugal condenser fan for proven airflow performance
- 10). Condensate re-evaporation
- 11). High Pressure switch with manual reset
- 12). Frost free low ambient cooling*
- 13). Electrostatic air filter
- 14). Chassis pull handle facilitates easy chassis removal & handling
- 15). Heat pump heating to 35°F outdoor**
- 16). Capillary expansion. Thermostatic expansion valve (heat pumps)
- 17). Positive shift reversing valve (heat pumps)
- 18). Precision charged with zer0zone R-410A refrigerant

*Cooling operation locks-out at 34° F outdoor temperature and restarts @ 55° F.

**Actual temperature affected by relative humidity, solar effect, etc.

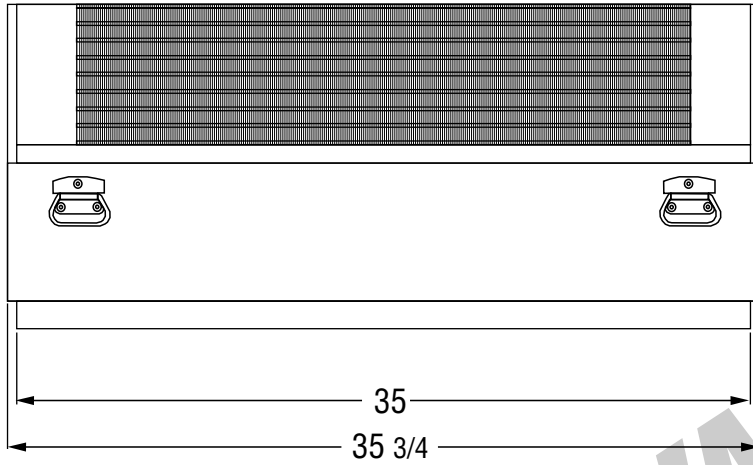


41 Dimensions and Specifications

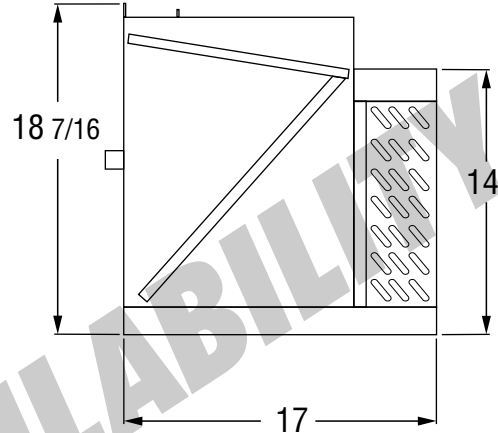
Note: Due to Cold Point Corporation's ongoing quality & product development programs, design and specifications may change. Always consult factory to verify the information provided here.

DIMENSIONAL DETAIL '41'

FRONT VIEW



SIDE VIEW



41 ZEROZONE CHASSIS ELECTRICAL RATINGS (1)

Model	Voltage/ HZ/Ph	Evap. Mtr. HP**	Evap. Mtr. Amps**	Cond. Mtr. HP	Cond. Mtr. Amps	Comp RLA	Comp LRA	TOTAL AMPS**	CKT AMPAC**	MAX FUSE	MIN. Volts	Line Cord*
41-09	115/60/1	1/10	1.2	1/5	3.2	8.0	50.0	12.4	14.4	20	104	5-20P
41-09	208/230/60/1	1/10	0.6	1/5	1.2	3.7	22.0	5.5	6.4	15	197	6-15P
41-09	265/60/1	1/10	0.6	1/5	1.2	3.5	22.0	5.3	6.2	15	240	N/A
41-12	115/60/1	1/10	1.2	1/5	3.2	10.5	57.0	14.9	17.5	25	104	5-20P
41-12	208/230/60/1	1/10	0.6	1/5	1.2	5.2	26.0	7.0	8.3	15	197	6-15P
41-12	265/60/1	1/10	0.6	1/5	1.2	4.3	25.0	6.1	7.2	15	240	N/A
41-15	208/230/60/1	1/10	0.6	1/4	2.0	6.6	33.0	9.2	10.9	15	197	6-15P
41-15	265/60/1	1/10	0.6	1/4	1.1	5.6	28.0	7.3	8.7	15	240	N/A

*Line Cord Optional

**w/optional Adirondack-Aire Blower Section

(1) If electric heat option is selected see Electric Heat Ratings Table: Total AMPS, Ampacity & Fuse size is the larger value.

NEMA Configurations

Non Locking Plugs/Receptacles

Voltage	125V	250V	277V
15A Recp.	5-15R 	6-15R 	7-15R
15A Plug	5-15P 	6-15P 	7-15P
20A Recp.	5-20R 	6-20R 	7-20R
20A Plug	5-20P 	6-20P 	7-20P
30A Recp.	5-30R 	6-30R 	7-30R
30A Plug	5-30P 	6-30P 	7-30P

Electric Heat Ratings (optional)

Heater No. (wcu)	Volt	Watts	BTU/h	HTR Amps	Total HTR Amps	Min CKT Amps	Max. Fuse	Line Cord*
2	208	1,800	6,140	8.7	9.3	12.0	15	6-15P
	230	2,200	7,500	9.6	10.2	13.0	15	6-15P
	265	2,900	9,900	10.9	11.5	15.0	15	N/A
	277	3,190	10,900	11.5	12.1	15.0	15	N/A
3	208	2,450	8,350	11.8	12.4	16.0	20	6-20P
	230	3,000	10,200	13.1	13.7	17.0	20	6-20P
	265	4,000	13,640	15.1	15.7	20.0	20	N/A
	277	4,350	14,830	15.7	16.3	21.0	25	N/A
4	208	3,270	11,150	15.7	16.3	21.0	25	6-30P
	230	4,000	13,640	17.4	18.0	23.0	30	6-30P

*Line Cord Optional

41 ZEROZONE PERFORMANCE TABLE (Tested in Accordance w/ARI)

Model	COMP	Cond. Fan Type/Air Direction	Cool BTUH	SENS BTUH	EER	CFM* HI/ LO	REFRIG
41-09	Rotary	Centrifugal Blow-Thru	9,000	7,300	9.1	440/350	R410A
41-12	Rotary	Centrifugal Blow-Thru	11,800	8,500	9.3	440/350	R410A
41-15	Rotary	Centrifugal Blow-Thru	16,000	11,500	10.1	550/450	R410A

*Dry Coil Airflow w/optional Adirondack-Aire Blower Section

Model No.	UNIT Weight (lbs)
09	100
12	100
15	100

01-10